

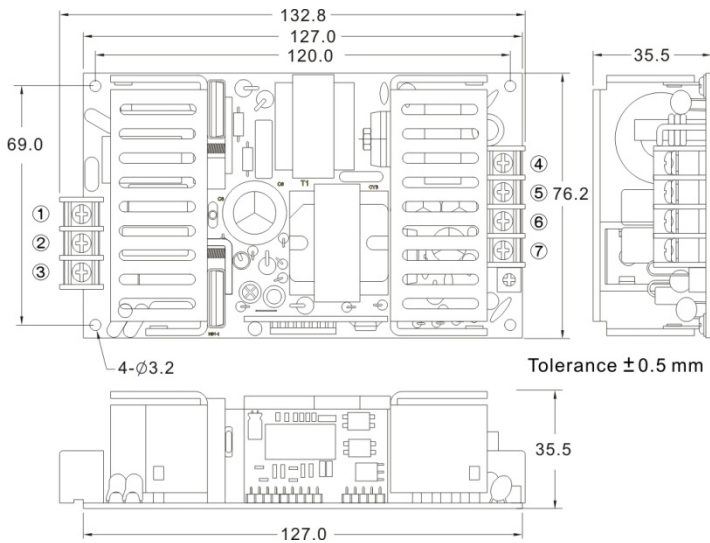
KEY FEATURES

- Open Frame Switching Power Supply
- Power Factor Correction
- 3.3 VDC to 48 VDC Single Output
- 3000 VAC Input to Output Isolation
- 150 Watt with 18CFM FAN
- Ultra Compact Size: 5.0 x 3.0 x 1.4 Inches
- 2-Year Product Warranty

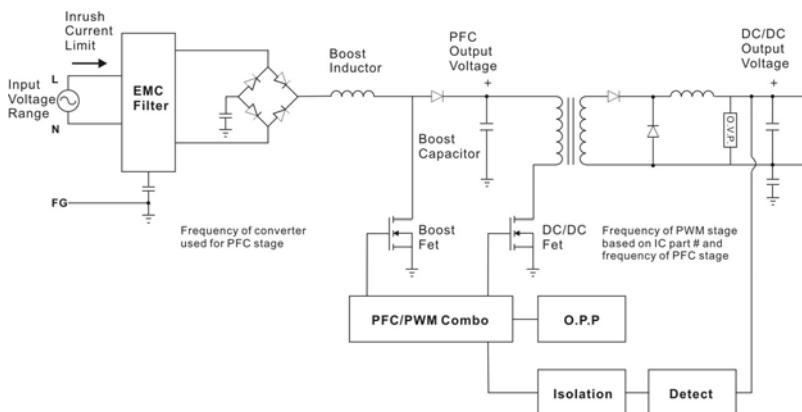

ELECTRICAL SPECIFICATIONS

Model No.	OFS83-3.3S	OFS125-5S	OFS150-12S	OFS150-15S	OFS150-24S	OFS150-48S		
Max Output Wattage (Convection) (W)	66W	100W	120W	120W	120W	120W		
Max Output Wattage (18CFM FAN) (W)	82.5W	125W	150W	150W	150W	150W		
Input	Voltage						90-264 VAC or 120-370 VDC	
	Frequency (Hz)						47-63 Hz	
	Current (Full load)						3 A max. (115 VAC) / 1.5 A max. (230 VAC)	
	Inrush Current (<2ms)						30 A max. (115 VAC) / 60 A max. (230 VAC)	
	Leakage Current						3.5 mA max.	
	Power Factor						PF>0.97 (115 VAC) / PF>0.93 (230 VAC) at Full Load	
Output	Voltage (V.DC.)		3.3V	5V	12V	15V	24V	48V
	Voltage Accuracy		±2%					
	Current (Convection) (A) max		20	20	10	8	5	2.5
	Current (18CFM FAN) (A) max		25	25	12.5	10	6.25	3.13
	Line Regulation (LL-HL) (typ.)		±1%					
	Load Regulation (5-100%) (typ.)		±1%					
	Minimum Load		0%					
	Maximum Capacitive Load		470-23,000µF depending on model					
	Ripple & Noise		100 mV max.		1% max..			
	Efficiency		73%	78%	81%	81%	82%	83%
	Hold-up Time		18 ms min.					
	Protection	Over Power Protection		Auto recovery				
Over Voltage Protection		Auto recovery						
Short Circuit Protection		Auto recovery						
Isolation	Input-Output (V.AC)		3000V					
	Input-FG (V.AC)		1500V					
	Output-FG (V.AC)		500V					
Environment	Operating Temperature		-25°C...+70°C (with derating)					
	Storage Temperature		-40°C...+85°C					
	Temperature Coefficient		±0.02%/°C (0~50°C)					
	Humidity		95% RH					
	MTBF		>100,000 h @ 25°C (MIL-HDBK-217F)					
	Vibration		10~500Hz, 5G 10min./1cycle, 60min. each along X, Y, Z axes.					
Physical	Dimension (L x W x H)		5.0 x 3.0 x 1.4 Inches (127.0 x 76.2 x 35.5 mm) Tolerance ±0.5 mm					
	Weight		365 g					
	Cooling Method		Free air convection / 18CFM Forced Air					
Safety	Agency Approvals		CE, UL					
EMC	EMI (Conducted & Radiated Emission)		EN 55022 class B					
	EMS (Noise Immunity)		EN 55024					

All specifications valid at nominal input voltage, full load and +25°C after warm-up time unless otherwise stated.

MECHANICAL DIMENSION (Top View)


PIN#	SINGLE
1	AC IN (L)
2	AC IN (N)
3	FG
4	+DC OUT
5	+DC OUT
6	-DC OUT
7	-DC OUT

BLOCK DIAGRAM

DERATING
