

**KEY FEATURES**

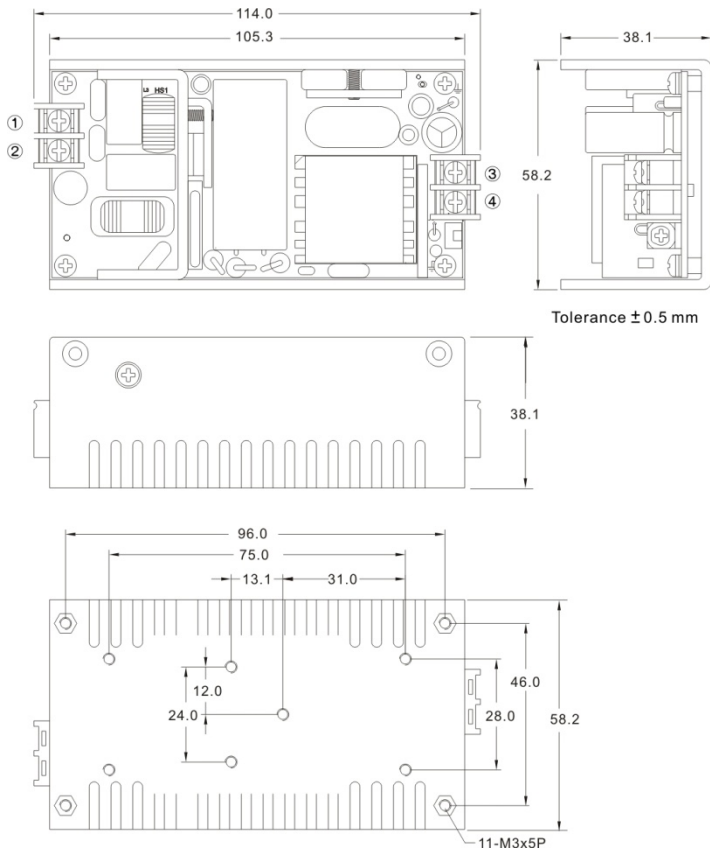
- U-Channel Switching Power Supply
- Universal Input: 90-264 VAC
- Single Output
- 5 VDC to 24 VDC Output
- 3000 VAC Input to Output Isolation
- Ultra Compact Size: 4.15 x 2.3 x 1.5 Inches
- 2-Year Warranty


**ELECTRICAL SPECIFICATIONS**

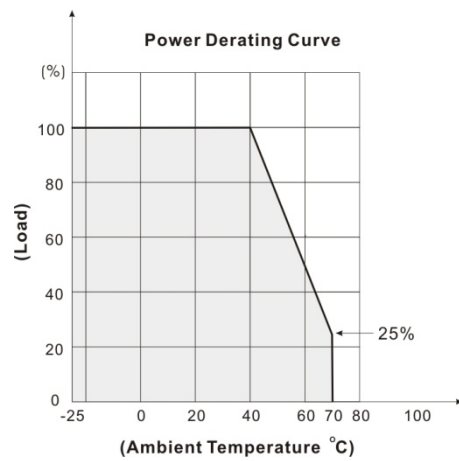
Model No.	OFS60U-5S	OFS75U-12S	OFS75U-15S	OFS75U-24S
Max Output Wattage (W)	60W	75W	75W	75W
Input	Voltage			
	90-264 VAC or 120-370 VDC			
	Frequency (Hz)			
	47-63 Hz			
	Current (Full load)			
2 A max. (115 VAC) / 1 A max. (230 VAC)				
Inrush Current (<2ms)				
20 A max. (115 VAC) / 40 A max. (230 VAC)				
Leakage Current				
3.5 mA max.				
Output	Voltage (V.DC.)			
	5V	12V	15V	24V
	Voltage Accuracy			
	±2%			
	Current (mA) max			
	12,000	6,250	5,000	3,130
	Line Regulation (LL-HL) (typ.)			
	±1%			
	Load Regulation (5-100%) (typ.)			
	±1%			
Minimum Load				
1%				
Maximum Capacitive Load				
470-23,000µF depending on model				
Ripple & Noise (Vp-p)				
100 mV max.	150 mV max.	200 mV max.	300 mV max.	
Efficiency				
73%	80%	80%	80%	
Hold-up Time				
18 ms min.				
Switching Frequency				
133 kHz				
Protection	Over Power Protection			
	Auto recovery			
	Over Voltage Protection			
Zener diode clamp				
Short Circuit Protection				
Auto recovery				
Isolation	Input-Output (V.AC)			
	3000V			
	Input-FG (V.AC)			
1500V				
Output-FG (V.AC)				
500V				
Environment	Operating Temperature			
	-25°C...+70°C (with derating)			
	Storage Temperature			
	-40°C...+85°C			
	Temperature Coefficient			
	±0.02%/°C			
Humidity				
95% RH				
MTBF				
>130,000 h @ 25°C (MIL-HDBK-217F)				
Vibration				
10-500Hz, 5G 10min./1cycle, 60min. each along X, Y, Z axes.				
Physical	Dimension (L x W x H)			
	4.15 x 2.3 x 1.5 Inches ( 105.3 x 58.2 x 38.1 mm ) Tolerance ±0.5 mm			
	Weight			
285 g				
Cooling Method				
Free air convection				
Safety	Agency Approvals			
CE, UL				
EMC	EMI (Conducted & Radiated Emission)			
	EN 55022 class B			
EMS (Noise Immunity)				
EN 55024				

All specifications valid at nominal input voltage, full load and +25°C after warm-up time unless otherwise stated.

Measured with 0.1µ 50V // 47µ 50V Ceramic Cap. Cross to output

**MECHANICAL DIMENSION ( Top View )**


PIN#	SINGLE
1	AC IN (N)
2	AC IN (L)
3	+DC OUT
4	-DC OUT

**DERATING**

**BLOCK DIAGRAM**
